

# SPM

## data sheet



### ***Advantages:***

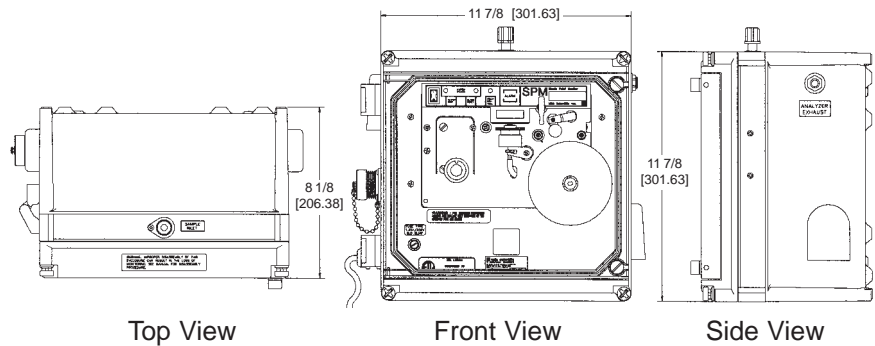
- Fast response monitor specific to target gas only
- Gas sensitivity to ppb levels with physical evidence
- Minimum maintenance and no dynamic calibration
- Customized for harsh industrial environments
- More than 50 gas calibrations available

### ***Applications:***

- Outdoor locations
- Corrosive areas
- Remote sampling areas
- Gas storage areas
- Survey work
- Perimeter/fencelines
- Ventilation and exhaust systems

### ***Options:***

- Z-purge system
- Duty cycle
- ChemKey
- RS422
- Remote reset
- Portable
- Extended sample
- Heater option  
(operate from -20°C to ±40°C)



## TECHNICAL DATA SPECIFICATIONS

SPECIFICATIONS	DETECTABLE GASES	RANGE
Detection Technique:	Chemcassette® Detection System	
Alarm Point:	Dual level alarms typically set at 1/2 TLV and TLV	
Response Time:	As fast as 10 seconds	
Alarm Indication:	Local audio/visual alarms; remote capability optional	
Signal Outputs:	SPDT concentration alarm relays; SPDT fault relay; 4-20 mA; digital display	
Relay Rating:	120VAC@10amps; 240VAC@5amps	
Operating Temperature Range:	32° to 104°F; 0° to 40°C (basic unit); heating/cooling optional	
Power Requirements:	115/230 VAC 50/60 Hz, battery operation optional	
Enclosure:	NEMA 4X fiberglass (basic unit)	
Dimensions:	12"(H) x 12"(W) x 7"(D) (30.5 x 30.5 x 17.8 cm) (basic unit)	
Weight:	14.5 pounds (6.6 kg) (basic unit)	
Note:	options may vary the specifications	
	<b>Amines</b>	
	Ammonia (NH <sub>3</sub> )	2.6-75.0 ppm
	Ammonia (NH <sub>3</sub> )-II	2.6-75.0 ppm
	Dimethylamine (DMA)	0.1-6 ppm
	n-Butylamine (n-BA)	0.4-12 ppm
	Methylene Dianiline (MDA)	3-60 ppb
	p-Phenylene Diamine (PPD)	2-60 ppb
	Toluene Diamine (TDA)	4-60 ppb
	Trimethylamine (TMA)	1.1-30.0 ppm
	<b>Diisocyanates (CHDI, HDI, HMDI, IEM, IPDI, MDI, NDI, PPDI, TDI, TMDI, TMXDI, XDI)</b>	2-60 ppb
	<b>Hydrazines</b>	
	MMH*	3-30 ppb
	N <sub>2</sub> H <sub>4</sub> *	20-300 ppb
	UDMH*	5-30 ppb
	<b>Hydrides</b>	
	Arsine (AsH <sub>3</sub> )	15-150 ppb
	Diborane (B <sub>2</sub> H <sub>6</sub> )	31-300 ppb
	Disilane (Si <sub>2</sub> H <sub>6</sub> )	1.5-15 ppm
	Germane (GeH <sub>4</sub> )	141-600 ppb
	Hydrogen Selenide (H <sub>2</sub> Se)	20-150 ppb
	Phosphine (PH <sub>3</sub> )	32-900 ppb
	Silane (SiH <sub>4</sub> )*	0.5-15 ppm
	Stibine (SbH <sub>3</sub> )	20-300 ppb
	tert-Butylarsine (TBA)	15-150 ppb
	tert-Butylphosphine (TBP)	60-900 ppb
	Hydrogen Cyanide (HCN)	1.1-30.0 ppm
	Hydrogen Sulfide (H <sub>2</sub> S)*	1.1-30.0 ppm
	<b>Mineral Acids</b>	
	Hydrogen Bromide (HBr)*	0.3-9.0 ppm
	Hydrogen Chloride (HCl)*	0.5-15.0 ppm
	Hydrogen Fluoride (HF)	0.6-9.0 ppm
	Hydrogen Iodide (HI)	0.3-9.0 ppm
	Nitric Acid (HNO <sub>3</sub> )	0.2-6.0 ppm
	Sulfuric Acid (H <sub>2</sub> SO <sub>4</sub> )	26-750 ppb
	<b>Oxidizers</b>	
	Bromine (Br <sub>2</sub> )	11-300 ppb
	Chlorine (Cl <sub>2</sub> )	0.05-1.5 ppm
	Chlorine (Cl <sub>2</sub> )-II	0.05-1.5 ppm
	Chlorine Dioxide (ClO <sub>2</sub> )	11-300 ppb
	Hydrogen Peroxide (H <sub>2</sub> O <sub>2</sub> )*	0.1-3 ppm
	Nitrogen Dioxide (NO <sub>2</sub> )*	0.3-9.0 ppm
	Ozone (O <sub>3</sub> )	31-300 ppb
	Phosgene (COCl <sub>2</sub> )*	11-300 ppb
	Sulfur Dioxide (SO <sub>2</sub> )*	0.2-6.0 ppm

\* other ranges available

*This publication is not intended to form the basis of a contract, and the company reserves the right to amend the design and specifications of the instruments without notice.*

### NORTH AMERICA

Zellweger Analytics, Inc.  
Corporate Headquarters  
405 Barclay Boulevard  
Lincolnshire, IL 60069  
Toll-Free 800-323-2000 (US/Canada)  
Tel. 847-634-2800  
Fax 847-634-1371  
<http://www.zelana.com>

